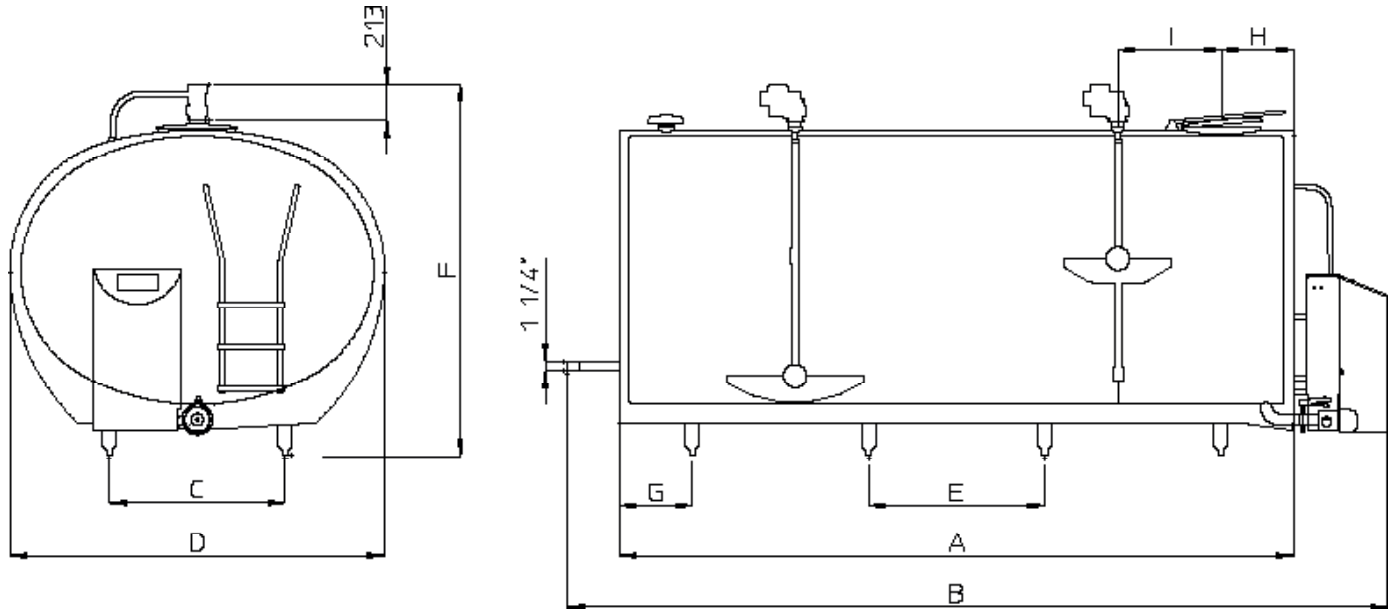


HORIZONTAL BLOOD COOLING TANK WITH INDIRECT COOLING

REM/DIB 3800 - 15000 L



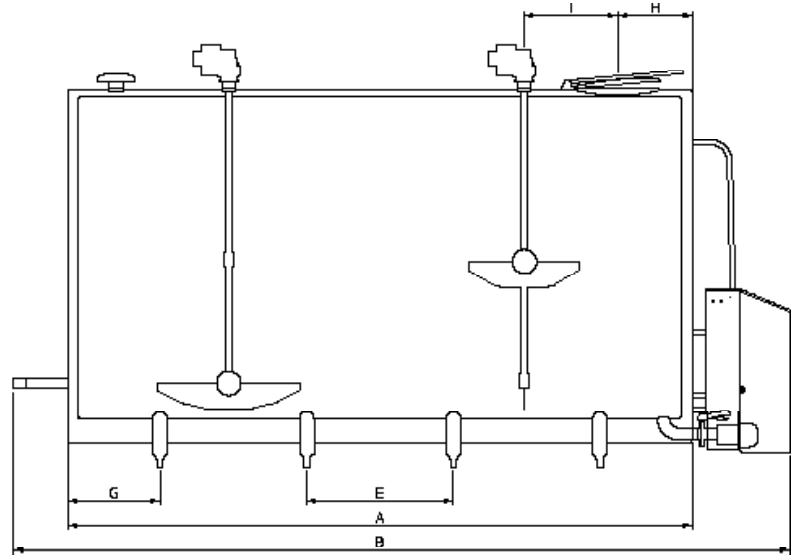
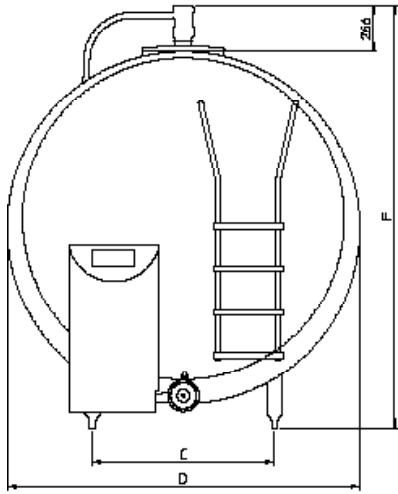
Dimensions REM/DIB

Model	Max. Volume	A	B	C	D	E	F	G	H	I	# Agitator	# Feet	Weight
REMDIB	Litres	mm	mm	mm	mm	mm	mm	mm	mm	mm			kg
3800	3944	2504	3122	934	1800	1690	1869 - 1914	407	432	820	1	4	590
4400	4562	2874	3492	934	1800	1050	1876 - 1921	387	432	1005	1	6	667
5000	5128	3214	3832	934	1800	1210	1883 - 1928	397	432	1175	1	6	730
RS 5000	5159	2380	2998	1050	2100	1580	2086 - 2130	400	432	758	1	4	710
6150	6321	2894	3512	1050	2100	1050	2096 - 2141	397	432	1015	1	6	854
7200	7369	3354	3972	1050	2100	1210	2105 - 2150	467	432	1245	1	6	901
RS 8000	8199	3140	3660	1050	2233	870	2248 - 2293	265	432	1138	1	8	1065
8200	8406	3809	4427	1050	2100	1050	2114 - 2159	329,5	432	555,5	2	8	1090
9000	9566	3681	4249	1050	2233	1050	2259 - 2303	265,5	432	531	2	8	1155
10000	10482	4011	4527	1050	2233	1050	2265 - 2310	430,5	432	611	2	8	1229
12000	12602	4810	5326	1050	2233	1050	2281 - 2326	305	432	812,5	2	10	1450
15000	15782	5986	6502	1050	2233	1050	2305 - 2349	368	432	1112,5	2	12	1800

The values are for tanks with PCV3 control unit and a self-cleaning outlet.
 F = min. and max. height of the leg screw, when the tank is installed under 2% slope.

HORIZONTAL BLOOD COOLING TANK WITH INDIRECT COOLING

LEM/DIB 18000 - 31600 L LS/DIB 10250 - 41000 L



Dimensions LEM/DIB

Model	Max. Volume	A	B	C	D	E	F	G	H	I	# Agitator	# Feet	Weight
LEMDIB	Litres	mm	mm	mm	mm	mm	mm	mm	mm	mm			kg
18000	18578	6311	6821	1050	2133	845	2698 - 3038	621	432	1201	2	14	1975
22000	22522	7619	8129	1050	2133	845	2724 - 3064	430	432	893	3	18	2245
25500	26450	9179	9689	1050	2133	845	2756 - 3096	787	432	1193	3	20	2550
31600	32915	11084	11594	1050	2133	845	2794 - 3134	472	433	1473	3	26	3200

Dimensions LS/DIB

Model	Max. Volume	A	B	C	D	E	F	G	H	I	# Agitator	# Feet	Weight
LSDIB	Litres	mm	mm	mm	mm	mm	mm	mm	mm	mm			kg
10250	10507	3659	4169	1050	2133	845	2645 - 2985	562	432	590	2	8	1196
13100	13384	3301	3821	1050	2500	820	3029 - 3369	421	421	1230	1	8	1325
14500	15152	3636	4156	1050	2500	714	3036 - 3376	391	421	1398	1	10	1421
15500	15879	3812	4332	1050	2500	804	3039 - 3379	299	421	586	2	10	1562
17650	18055	4421	4941	1050	2500	714	3051 - 3391	427	421	694	2	12	1750
21500	22547	5386	5906	1050	2500	750	3071 - 3411	443	421	974	2	14	2078
25500	26025	6376	6896	1050	2500	750	3091 - 3431	563	421	1665	2	16	2453
30450	31064	7506	8026	1050	2500	813	3113 - 3453	878	421	878	3	18	2925
36500	36765	8906	9426	1050	2500	750	3141 - 3481	328	421	1113	3	24	3458
41000	41500	6871	7431	1450	3000	545	3590 - 3930	438	438	1635	2	24	3200

The values are for tanks with PCV3 control unit and a self-cleaning outlet.
F = min. and max. height of the leg screw, when the tank is installed under 2% slope.

Fullwood Packo nv

Torhoutsesteenweg 154 - 8210 Zedelgem - Belgium

T +32 50 25 06 10 - E cooling@fullwoodpacko.com - www.packocooling.com - www.packoindustry.com

Subject to modifications. Not contractually binding document.