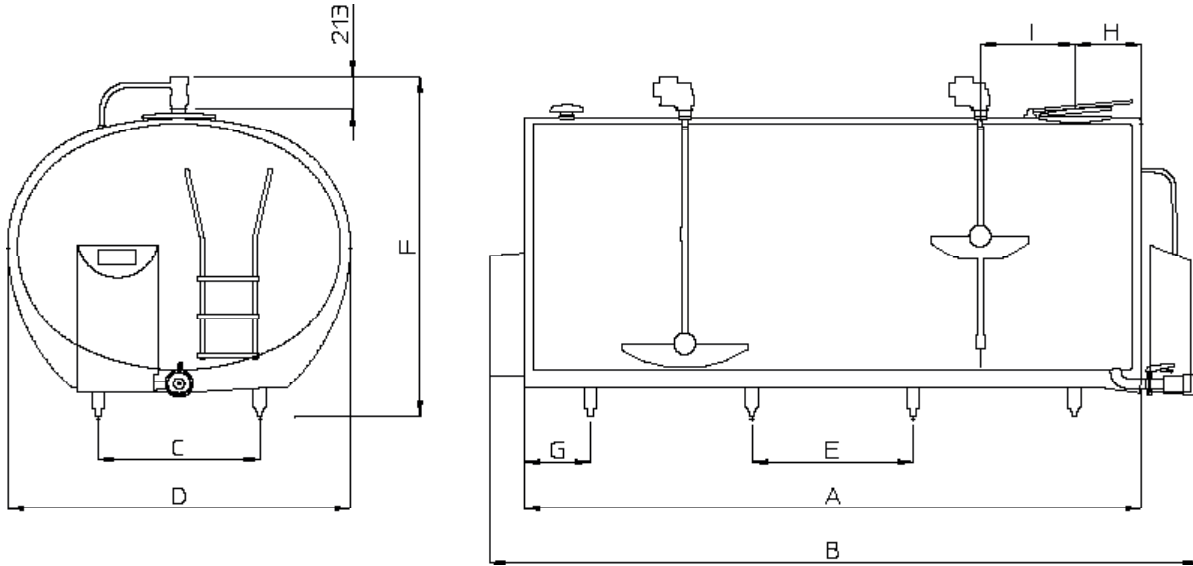


HORIZONTAL BLOOD COOLING TANK WITH DIRECT EXPANSION

REM/DX 1050 - 15000 L



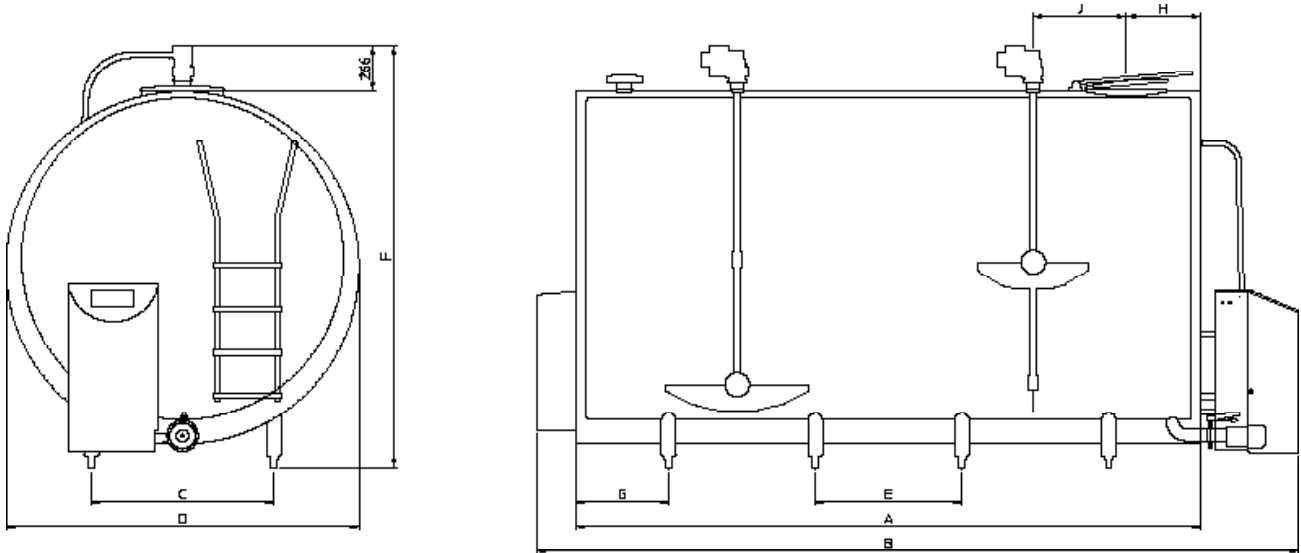
Dimensions REM/DX

Model	Max. Volume	A	B	C	D	E	F	G	H	I	# Agitator	# Feet	Weight
REMDX	Litres	mm	mm	mm	mm	mm	mm	mm	mm	mm			kg
1050	1125	1398	2014	670	1308	932	1511 - 1556	233	432	430	1	4	220
1300	1393	1704	2320	670	1308	845	1517 - 1562	430	432	470	1	4	295
1700	1715	2070	2686	670	1308	1210	1524 - 1569	430	432	603	1	4	365
2100	2140	2553	3169	670	1308	1690	1534 - 1579	432	432	845	1	4	412
2600	2653	1911	2504	750	1660	1210	1871 - 1916	351	432	524	1	4	437
3100	3186	2722	3315	750	1660	1440	1887 - 1932	416	432	704	1	4	500
3800	3944	2504	3099	934	1800	1690	1869 - 1914	407	432	820	1	4	590
4400	4562	2874	3469	934	1800	1050	1876 - 1921	387	432	1005	1	6	667
5000	5128	3214	3809	934	1800	1210	1883 - 1928	397	432	1175	1	6	730
RS 5000	5159	2380	2975	1050	2100	1580	2086 - 2130	400	432	758	1	4	710
6150	6321	2894	3489	1050	2100	1050	2096 - 2141	397	432	1015	1	6	854
7200	7369	3354	3949	1050	2100	1210	2105 - 2150	467	432	1245	1	6	901
RS 8000	8199	3140	3735	1050	2233	870	2248 - 2293	265	432	1138	1	8	1065
8200	8406	3809	4404	1050	2100	1050	2114 - 2159	330	432	556	2	8	1090
9000	9566	3681	4276	1050	2233	1050	2259 - 2303	266	432	531	2	8	1155
10000	10482	4011	4606	1050	2233	1050	2265 - 2310	431	432	611	2	8	1229
12000	12602	4810	5405	1050	2233	1050	2281 - 2326	305	432	813	2	10	1450
15000	15782	5986	6581	1050	2233	1050	2305 - 2349	368	432	1113	2	12	1800

The values are for tanks with PCV3 control unit and a self-cleaning outlet.
 F = min. and max. height of the leg screw, when the tank is installed under 2% slope.

HORIZONTAL BLOOD COOLING TANK WITH DIRECT EXPANSION

LEM/DX 18000 - 31600 L
LS/DX 10250 - 36500 L



Dimensions LEM/DX

Model	Max. Volume	A	B	C	D	E	F	G	H	I	# Agitator	# Feet	Weight
LEMDX	Litres	mm	mm	mm	mm	mm	mm	mm	mm	mm			kg
18000	18578	6324	6892	1050	2133	845	2694 - 3034	627	432	1193	2	14	1795
22000	22522	7619	8203	1050	2133	845	2724 - 3064	430	432	893	3	18	2245
25500	26450	9179	9763	1050	2133	845	2756 - 3096	787	432	1193	3	20	2550
31600	32915	11084	11668	1050	2133	845	2794 - 3134	472	433	1473	3	26	3200

Dimensions LS/DX

Model	Max. Volume	A	B	C	D	E	F	G	H	I	# Agitator	# Feet	Weight
LSDX	Litres	mm	mm	mm	mm	mm	mm	mm	mm	mm			kg
10250	10507	3659	4226	1050	2133	845	2640 - 2980	562	432	590	2	8	1180
13100	13384	3301	3904	1050	2500	820	3010 - 3350	421	421	1230	1	8	1325
14500	15152	3636	4239	1050	2500	714	3037 - 3377	391	421	1398	1	10	1421
15500	15879	3812	4415	1050	2500	804	3041 - 3381	299	421	586	2	10	1562
17650	18055	4421	5028	1050	2500	714	3051 - 3391	427	421	694	2	12	1680
21500	22547	5386	5972	1050	2500	750	3090 - 3430	443	421	974	2	14	2078
25500	26025	6375	6978	1050	2500	750	3090 - 3430	563	421	1665	2	16	2453
30450	31064	7676	8109	1050	2500	813	3116 - 3456	503	421	878	3	18	2925
36500	36765	8906	9511	1050	2500	750	3141 - 3481	328	421	1113	3	24	3502

The values are for tanks with PCV3 control unit and a self-cleaning outlet.
 F = min. and max. height of the leg screw, when the tank is installed under 2% slope.

Fullwood Packo nv

Torhoutsesteenweg 154 - 8210 Zedelgem - Belgium

T +32 50 25 06 10 - E cooling@fullwoodpacko.com - www.packocooling.com - www.packoindustry.com

Subject to modifications. Not contractually binding document.