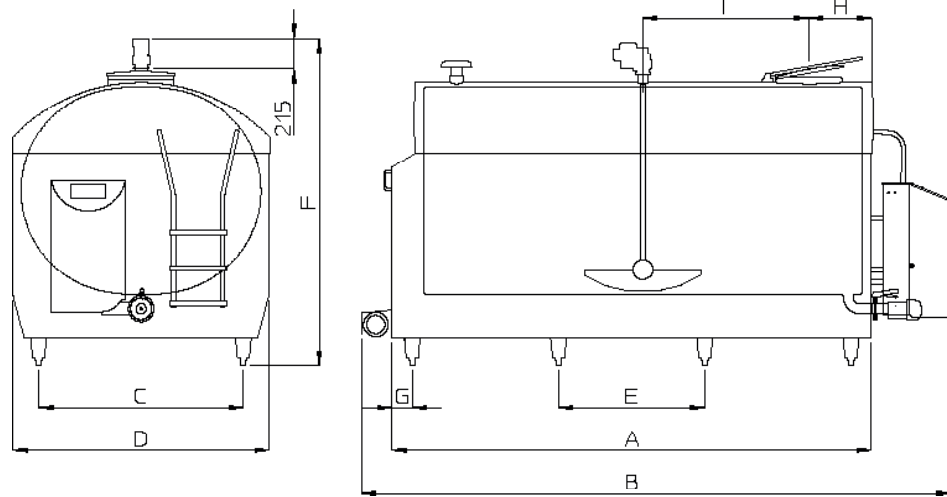


# BLOOD COOLING TANK WITH INTEGRATED ICE BUILDER

## RM/IB 1600 - 15400 L



### Dimensions RM/IB - T2

Model	Max. volume	A	B	C	D	E	F	G	H	I	# Legs	Weight
RMIB	litres	mm	mm	mm	mm	mm	mm	mm	mm	mm		kg
1600	1674	2185	2636	952	1300	1895	1825 - 1945	145	445	572	4	464
2200	2237	2818	3269	952	1300	1264	1825 - 1945	145	445	890	6	584
2800	2813	2010	2461	1440	1800	860	2179 - 2299	145	450	493	6	682
3300	3367	2350	2801	1440	1800	1030	2179 - 2299	145	450	655	6	750
3800	3881	2664	3115	1440	1800	1187	2179 - 2299	145	450	812	6	830
4400	4484	3034	3485	1440	1800	1372	2179 - 2299	145	450	997	6	980
5000	5039	3374	3825	1440	1800	1028	2179 - 2299	145	450	1167	8	1076
6000	6148	4035	4486	1440	1800	1237	2173 - 2293	145	450	688	8	1240

### Dimensions RM/IB - T4/T6

Model	Max. volume	A	B	C	D	E	F	G	H	I	# Legs	Weight
RMIB	litres	mm	mm	mm	mm	mm	mm	mm	mm	mm		kg
1600	1674	2185	2636	952	1300	1895	1630 - 1750	145	445	572	4	429
2200	2237	2818	3269	952	1300	1264	1630 - 1750	145	445	890	6	525
2800	2813	2010	2461	1440	1800	860	1996 - 2116	145	450	493	6	601
3300	3367	2350	2801	1440	1800	1030	1996 - 2116	145	450	655	6	655
3800	3881	2664	3115	1440	1800	1187	1996 - 2116	145	450	812	6	730
4400	4484	3034	3485	1440	1800	1372	1996 - 2116	145	450	997	6	860
5000	5039	3374	3825	1440	1800	1028	1996 - 2116	145	450	1167	8	940
6000	6150	3374	3825	1440	1800	1028	2269 - 2389	145	450	688	8	1050
7150	7320	4001	4452	1440	1800	1237	2269 - 2389	145	450	1167	8	1300
9650	9899	4001	4261	1510	2244	800	2269 - 2389	370/430	450	688	10	1700
12400	12540	5041	5302	1510	2244	800	2269 - 2389	521	450	553	12	1930
15400	15772	6217	6478	1510	2244	800	2269 - 2389	187/430	450	813	16	2240

#### RM/IB 1600-5000 et RM/IB 6000 T4/T6

1 agitator

#### RM/IB 6000 T2 - RM/IB 7150 - 15400 T4/T6

2 agitators

#### Fullwood Packo nv

Torhoutsesteenweg 154 - 8210 Zedelgem - Belgium

T +32 50 25 06 10 - E cooling@packo.com

www.packocooling.com - www.packoindustry.com

Subject to modifications. Not contractually binding document.