

PACKO ICE BUILDER PIB 8 - 13

Application

Ice water is used since many years for **cooling of food products and for process cooling in general** because ice water has the capacity to cool down large quantities of product in a short time. In an ice builder a **big amount of energy can be stored** on a small surface. This compact unit can produce a **large quantity of ice water of 0.5 à 1°C**. For several applications, **there is no risk of freezing the product**.

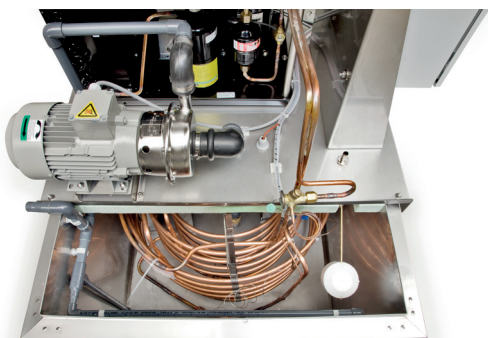


Features

- Construction completely made in stainless steel 18/10 – AISI 304
- Insulated with polyurethane foam for an excellent insulation and extra strength of the tank
- The well dimensioned evaporator enables the storage of a large ice reserve, this guarantees a maximum cold transfer.
- The evaporator is made of seamless copper tubes and mounted in a stainless steel frame for a long lifetime.

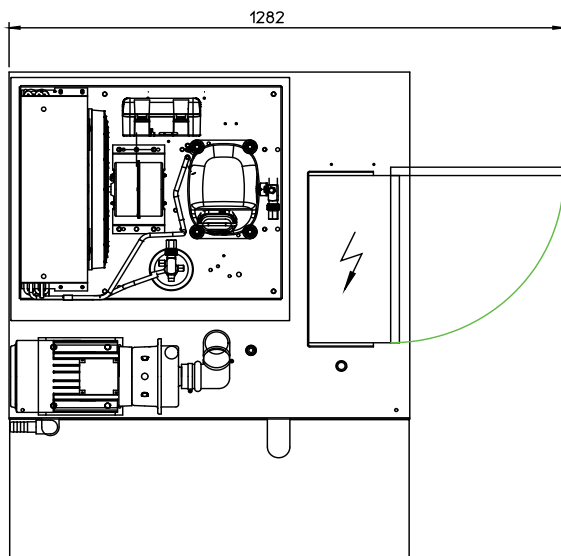
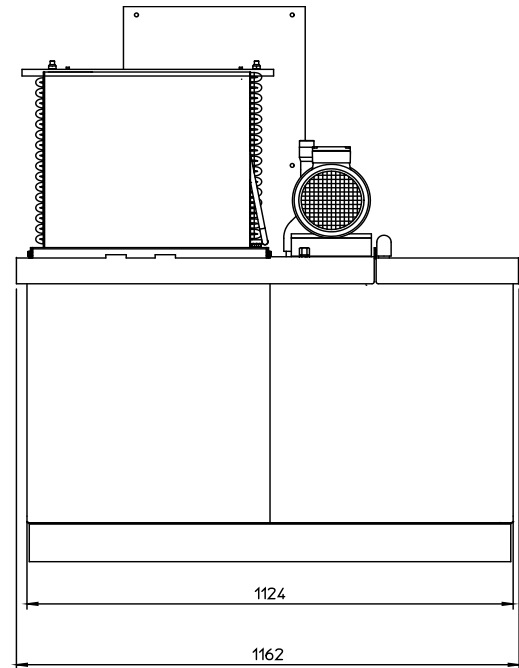
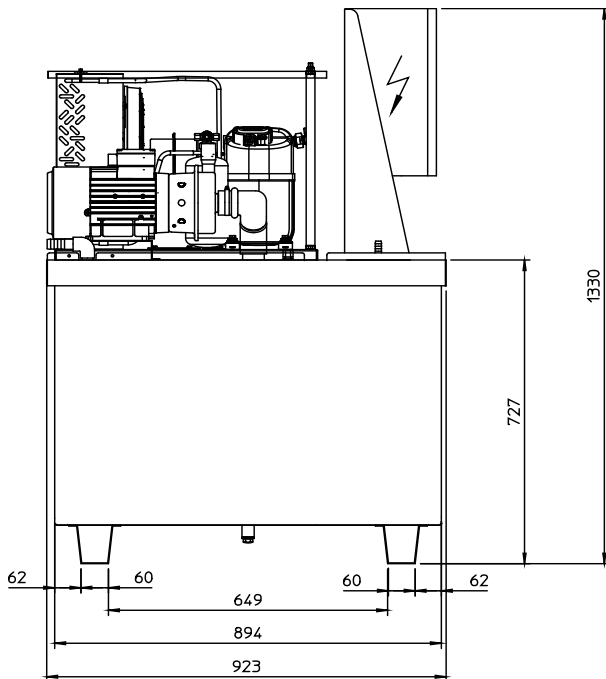
Operation

- Accumulation of energy at cheaper electricity rates via e.g. night rate or alternative energy such as solar panels
- An ice thickness probe activates the Eco-cool cooling unit until an equal layer of ice on all evaporator tubes has been built. The cooling unit stops when the maximum ice thickness has been reached.
- When an exceptional rise in ice water demand is foreseen, the boost button allows the operator to start the cooling unit without reaching the minimum ice level.
- A time clock for ice building during the night or in a programmed period
- The water in the ice builder is cooled to 0.5- 1 °C.
- One pump sends the ice water to the consumer.
- The ice is melted down by the warm water returning from the consumer.
- When the ice water is used in a not completely closed circuit, and some ice water be consumed or drained, a float valve maintains the ice water up to the required level.



DIMENSIONS

PIB 8 - 13



Model	Energy storage		Amount of ice	Amount of water (without ice)
	kWh	kcal	kg	Litres
8	8.8	7570	95	396
13	13.4	11488	144	396

Fullwood Packo nv

Torhoutsesteenweg 154 - 8210 Zedelgem - Belgium
 T +32 50 25 06 10 - E cooling@fullwoodpacko.com
www.packocooling.com

Subject to modifications. Not contractually binding document.